

# WF 密閉ゲージ(樹脂) WF Enclosed Gauges (Resin)

## WF11 A型ゲージ WF11 A type gauge



| ダイヤル径<br>Dial diameter | 接続ネジ<br>Connecting screw | 圧力範囲(P.6)<br>Pressure range (P. 6)                                 | 用途(P.6)<br>Application (P. 6)                              |
|------------------------|--------------------------|--|--|
| 2: φ60                 | 1: G1/4B                 | 圧力範囲表より<br>選択して下さい。<br>Select from the<br>pressure range<br>table. | 用途表より<br>選択して下さい。<br>Select from the<br>application table. |
| 3: φ75                 | 2: G3/8B                 |  |  |
| 4: φ100                | 3: G1/2B                 |  |  |
| 6: φ150                | 4: R1/4                  |  |  |
|                        | 5: R3/8                  |  |  |
|                        | 6: R1/2                  |  |  |

上記接続ネジ以外のものについては、ご指定下さい。(例:NPT、7/16フレア等...)

※ φ60は3/8以上、φ75は1/2以上製作不可

Specify connecting screws other than the above. (Example: NPT, 7/16 flare, etc.)

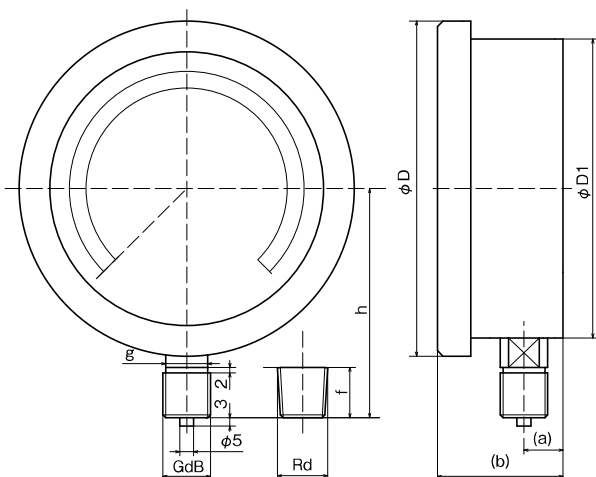
\* For φ60, connecting screws 3/8 or larger are not available, and for φ75, connecting screws 1/2 or larger are not available.

| 標準仕様<br>Standard specification | 枠(外枠)<br>Frame (Outer frame) | 枠(内枠)<br>Frame (Inner frame) | 接続部<br>Connecting part | ブルドン管<br>Bourdon tube  |
|--------------------------------|------------------------------|------------------------------|------------------------|--|
| φ60                            | ABS樹脂<br>ABS resin           | ABS樹脂<br>ABS resin           | C3604BD                | 低圧=C2680TW<br>高圧=C5191<br>工具鋼<br>SUS316<br>Low pressure = C2680TW<br>High pressure = C5191<br>Tool steel<br>SUS316 |
| φ75以上<br>φ75 or larger         | フェノール樹脂<br>Phenol resin      | フェノール樹脂<br>Phenol resin      | C3771BE                |  |

接続部・ブルドン管をSUS316にされる場合は、ご指定下さい。  
Specify if connecting parts and bourdon tubes of SUS316 are necessary.

## WF 密閉ゲージ(樹脂) 図面・寸法表 WF Enclosed Gauge (Resin): Drawings & Dimensions Table

### WF11 A型ゲージ WF11 A type gauge



### WF11 A型 WF11 A type

| 大きさ<br>size | d    | (a) | (b) | f      | g      | h      | D   | D1  |
|-------------|------|-----|-----|--------|--------|--------|-----|-----|
| φ60         | 1/4" | 12  | 33  | 14(16) | 14四角   | 56     | 67  | 62  |
| φ75         | 1/4" | 16  | 45  | 14     | 14二面取り | 66     | 90  | 78  |
|             | 3/8" |     |     | 18     |        | 70     |     |     |
| φ100        | 3/8" | 16  | 49  | 18     | 14二面取り | 82     | 120 | 107 |
|             | 1/2" |     |     | 20     |        | 19二面取り |     |     |
| φ150        | 3/8" | 16  | 54  | 18     | 14二面取り | 110    | 169 | 154 |
|             | 1/2" |     |     | 20     |        | 19二面取り |     |     |

14四角 = 14 Square 14二面取り = 14 Double D  
19二面取り = 19 Double D