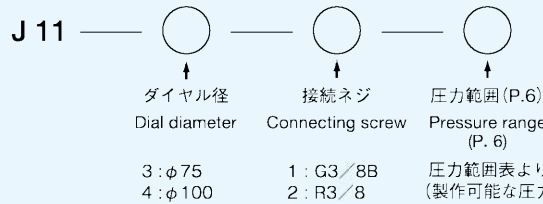


# JUNゲージ JUN Gauges

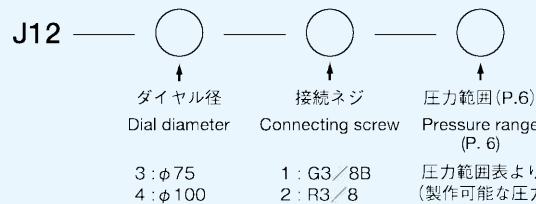
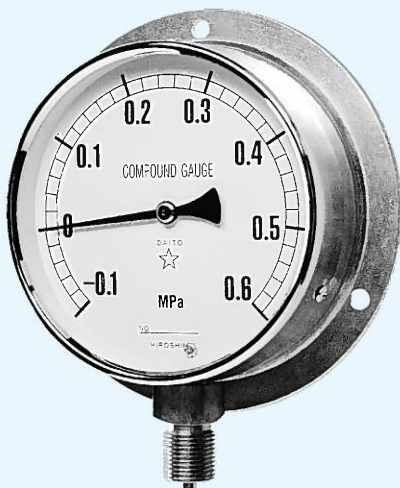
## J11 A型ゲージ J11 A type gauge



Select from the pressure range table. (The pressure range which can be manufactured is 0.1MPa to 4MPa (for compound gauges and vacuum gauges).)

標準仕様 Standard specification	枠(外枠) Frame (Outer frame)	枠(内枠) Frame (Inner frame)	接続部 Connecting part	ブルドン管 Bourdon tube
φ75・φ100	SSクロームメッキ SS chrome plating	AC7A銀色 AC7A silver	C3604BD	低圧=C2680TW Low pressure = C2680TW

## J12 B型ゲージ J12 B type gauge



Select from the pressure range table. (The pressure range which can be manufactured is 0.1MPa to 4MPa (for compound gauges and vacuum gauges).)

標準仕様 Standard specification	枠(外枠) Frame (Outer frame)	枠(内枠) Frame (Inner frame)	接続部 Connecting part	ブルドン管 Bourdon tube
φ75・φ100	SSクロームメッキ SS chrome plating	AC7A銀色 AC7A silver	C3604BD	低圧=C2680TW Low pressure = C2680TW

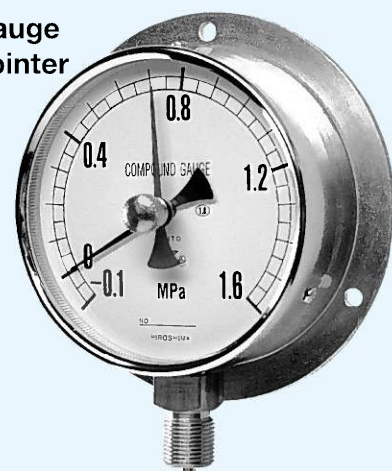
## J11 A型ゲージ 設置針付

J11 A type gauge  
with index pointer



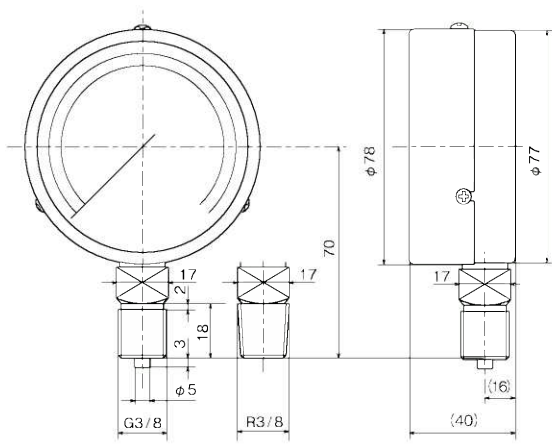
## J12 B型ゲージ 設置針付

J12 B type gauge  
with index pointer

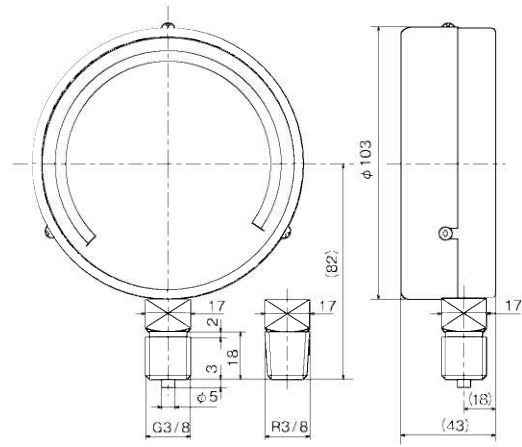


※設置針が必要な場合は、ご指定下さい。  
\* Specify if an index pointer is necessary.

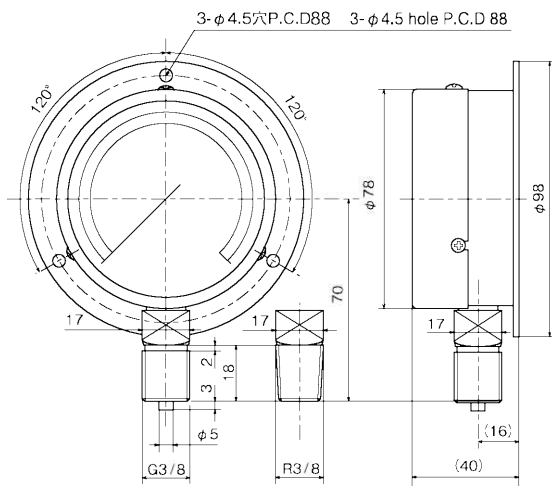
J11-3



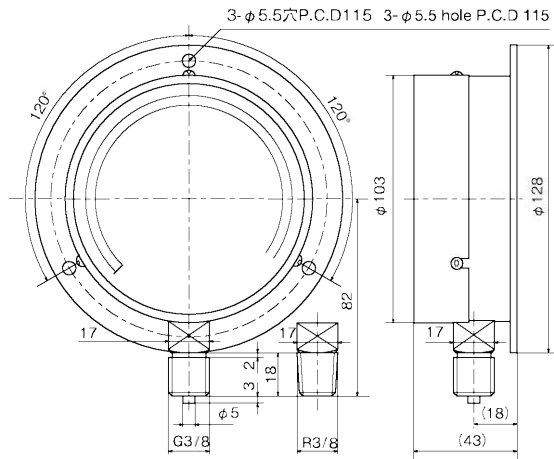
J11-4



J12-3

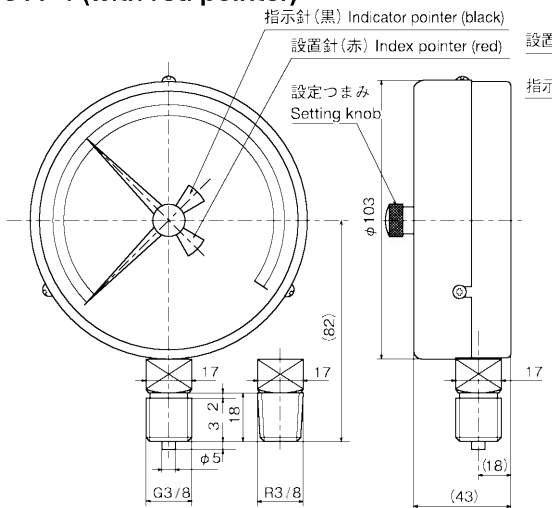


J12-4



J11-4(赤針付)

J11-4 (with red pointer)



J12-4(赤針付)

J12-4 (with red pointer)

